



82220005

82220011

82220006

82220044

82220046

82220045

82220007

82223005

82223022

822230

WILSON MILLS RD

PROPOSED SIGN

83131035

83131028

83131029

831-33-001

83133002

83133046

83133003

83133045

83133004

83133005

831330

PARCEL 831-33-001

83133047

83133055

83133056

83133054

83133057

83133079

83133058

83133078

83133059

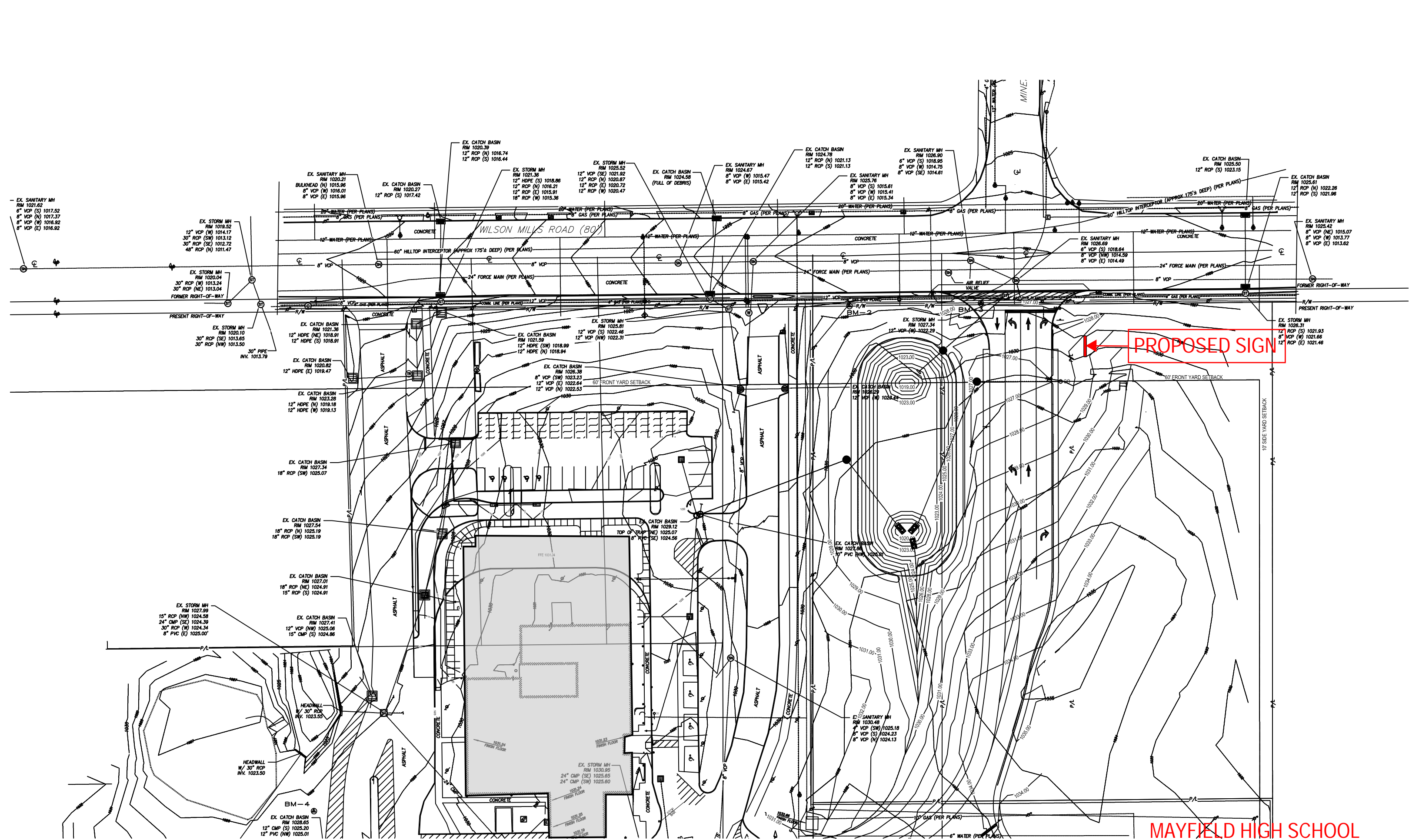
MAYFIELD HIGH SCHOOL
AERIAL PHOTO - SITE
APRIL 1, 2024

ROBIN CIR

CE RD

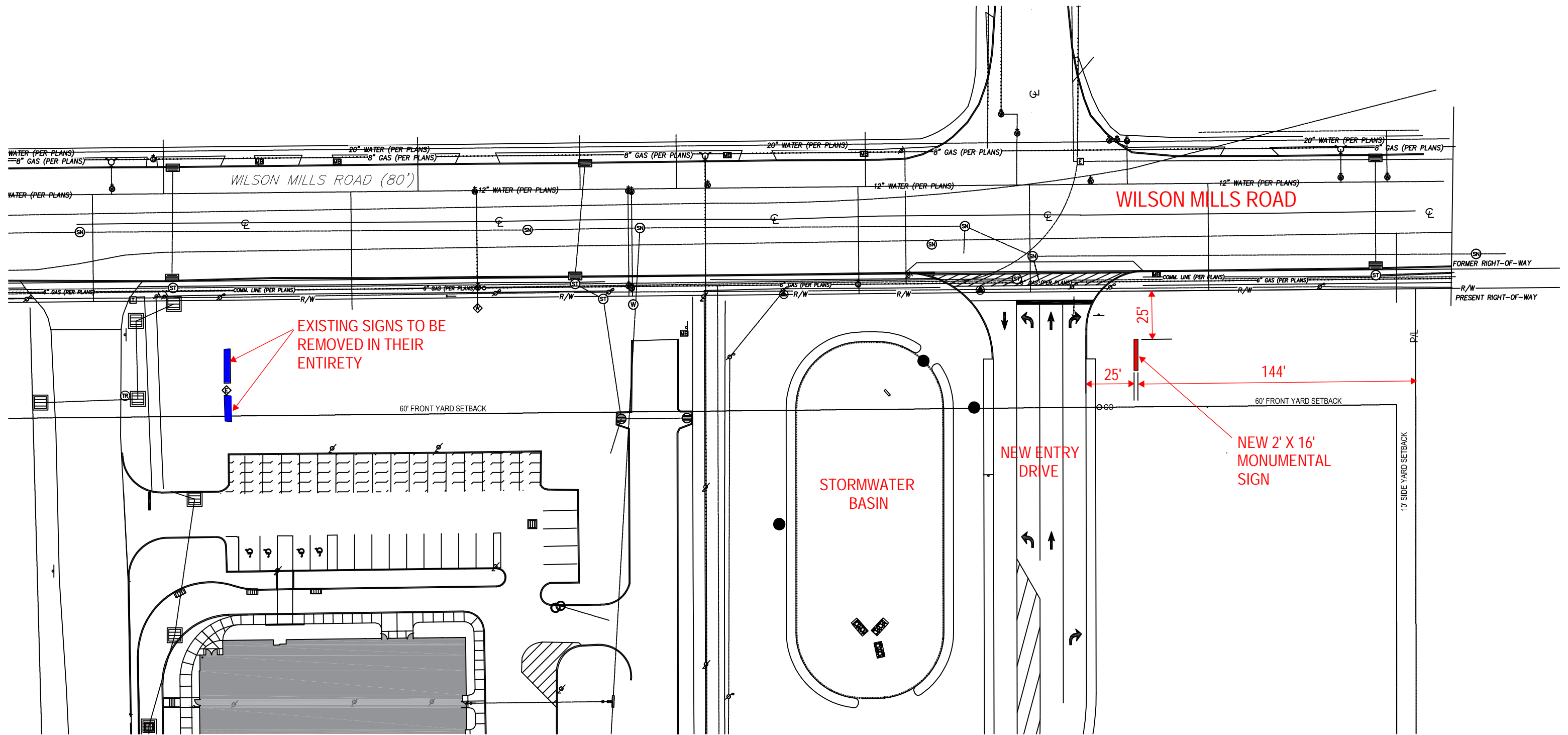
83133077

83133060



PROPOSED SIGN

MAYFIELD HIGH SCHOOL
 SITE PLAN
 SCALE: 1"=60"



MAYFIELD HIGH SCHOOL
 MONUMENTAL SIGN - SITE PLAN
 SCALE: 1" = 50'

MONUMENT SIGN
-double sided



EXISTING SIGN



Please verify ALL artwork, spelling, and grammar are correct. Once approved, artwork is final and will be produced as such. Remakes are at customers expense.

PROJECT NAME:	MAYFIELD HIGH SCHOOL MONUMENT SIGN
CLIENT:	WHITEHOUSE CONSTRUCTION
PROJECT ADDRESS:	6116 WILSON MILLS RD. MAYFIELD OH
ORDER NUMBER:	27628
NOTES:	Notes:
REVISIONS:	1: 2: 3: 4: 5: 6: 7:
FILE NAME:	Mayfield High School Monument.fs
PROOF DATE:	2/20/2024
PROOF TIME:	12:27:00 AM
DRAWN BY:	Name

Signarama
Sign & Graphics Company
Cleveland, OH
18200 South Miles Rd. Cleveland, OH 44128
440-442-5002 www.SignaramaOH.com

APPROVED FOR PRODUCTION

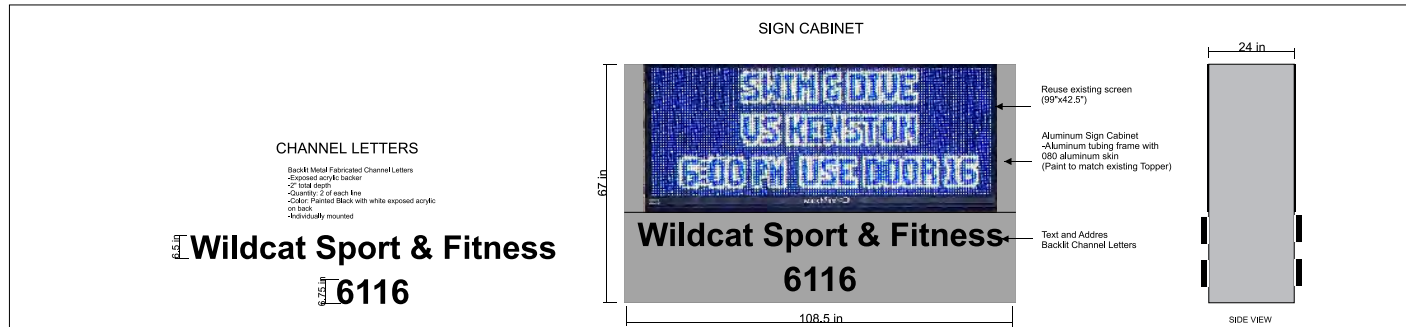
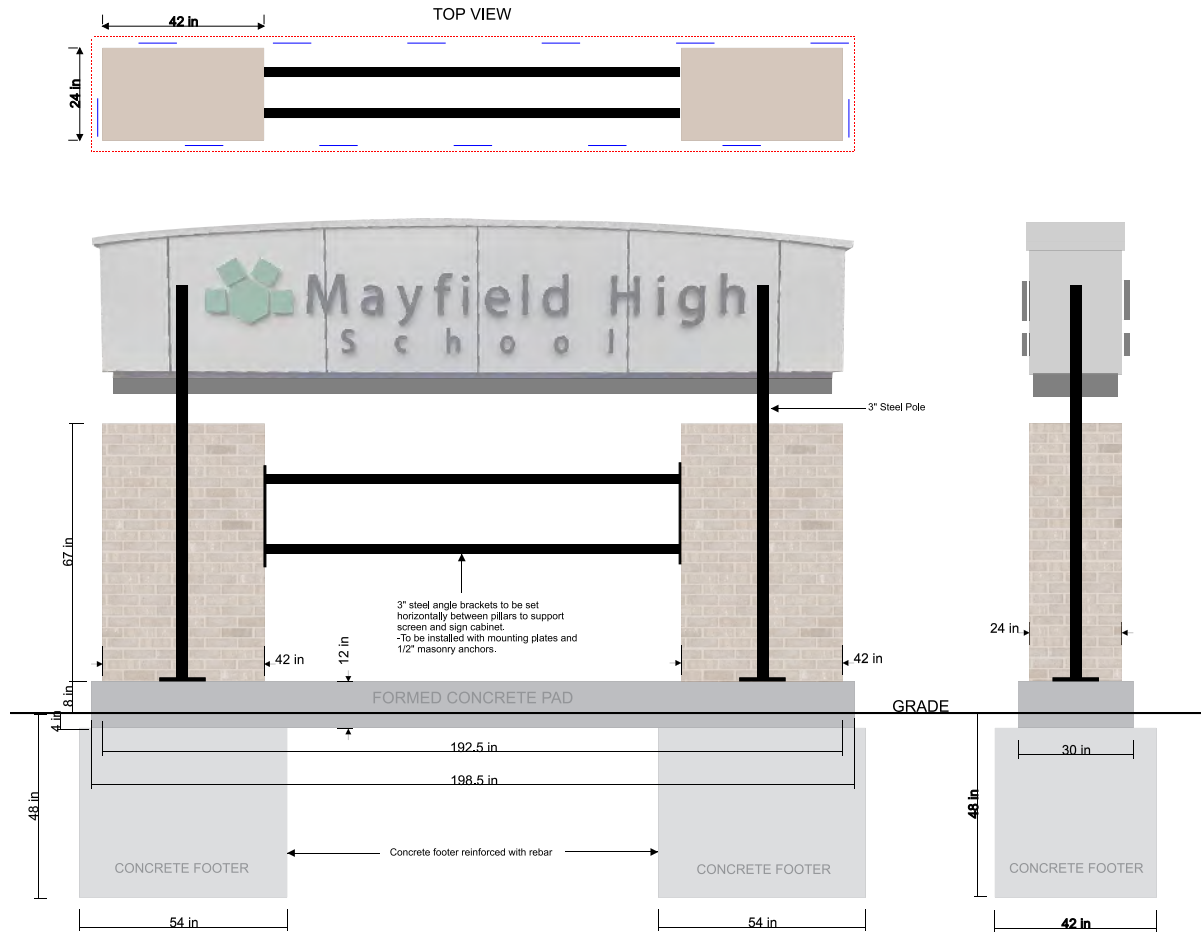
APPROVED AS NOTED

REVISION NEEDED

SIGNATURE: PRINT / SIGN / DATE

Note: Prints are the exclusive property of Signarama Cleveland. Any Unauthorized Use is prohibited and will result in charges for art time and design

STRUCTURAL DETAILS



PROJECT NAME:	MAYFIELD HIGH SCHOOL MONUMENT SIGN
CLIENT:	WHITEHOUSE CONSTRUCTION
PROJECT ADDRESS:	6116 WILSON MILLS RD. MAYFIELD OH
ORDER NUMBER:	27628
NOTES:	Notes:
REVISIONS:	1: 2: 3: 4: 5: 6: 7:
FILE NAME:	Mayfield High School Monument.fs
PROOF DATE:	2/20/2024
PROOF TIME:	12:27:00 AM
DRAWN BY:	Name

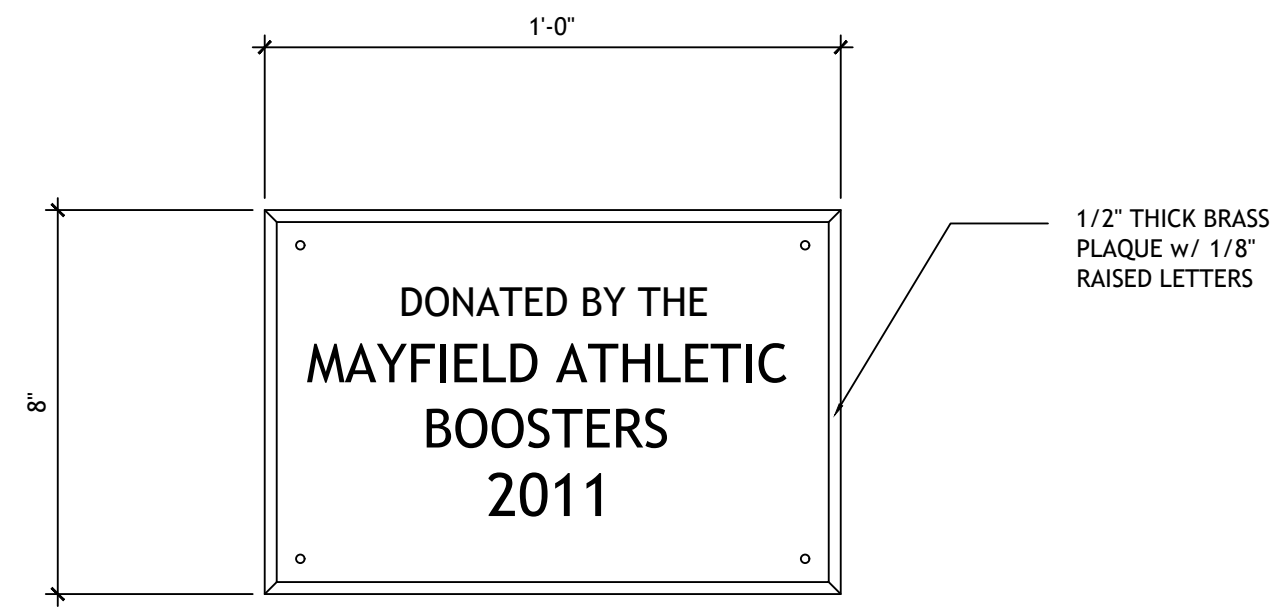
Please verify ALL artwork, spelling, and grammar are correct. Once approved, artwork is final and will be produced as such. Remakes are at customers expense.

APPROVED FOR PRODUCTION

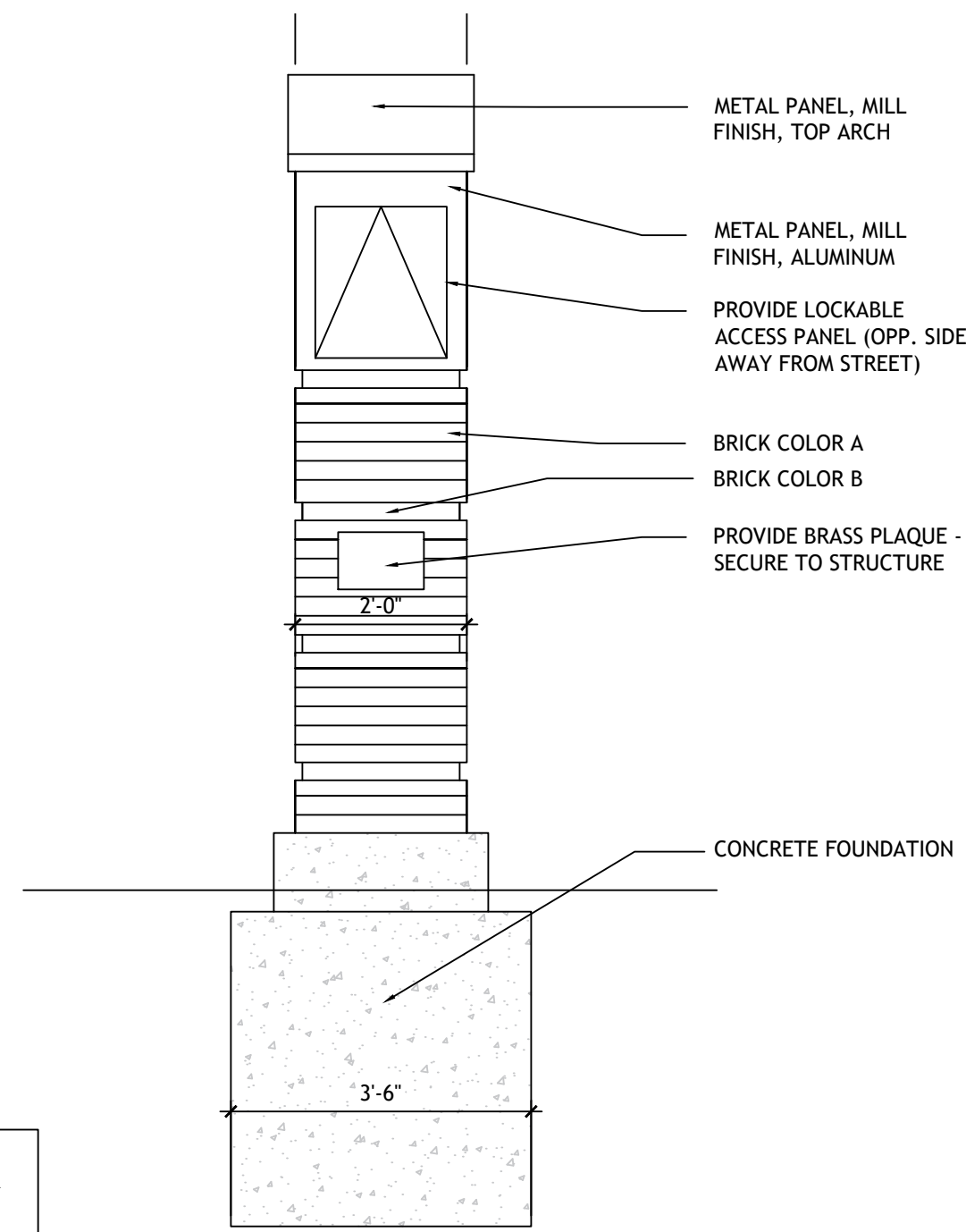
APPROVED AS NOTED

REVISION NEEDED

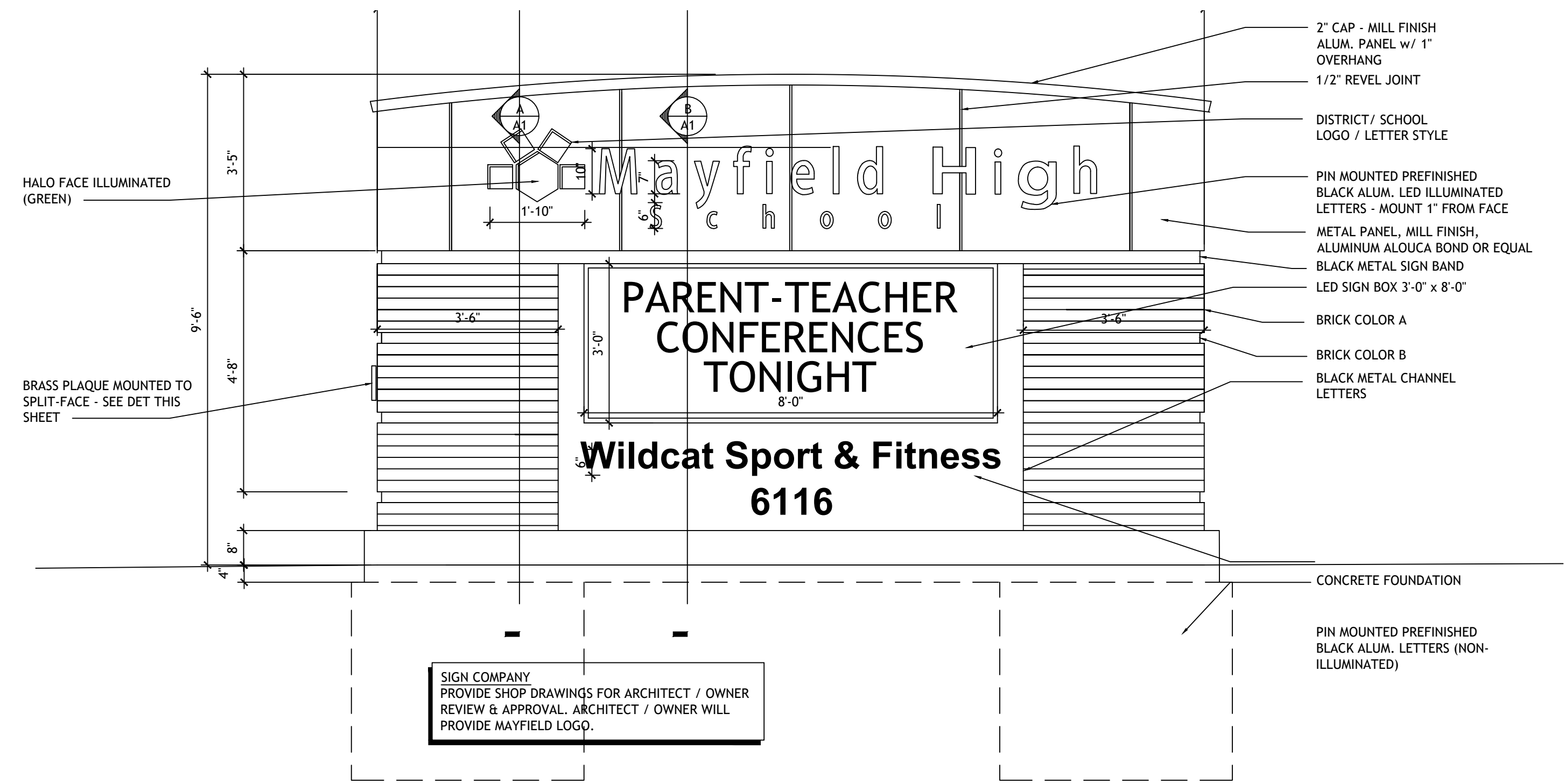
SIGNATURE: PRINT / SIGN / DATE



BRASS PLAQUE DETAIL
SCALE: 3" = 1'-0"



HIGH SCHOOL SIGN SIDE ELEVATION
SCALE: 1/2" = 1'-0"

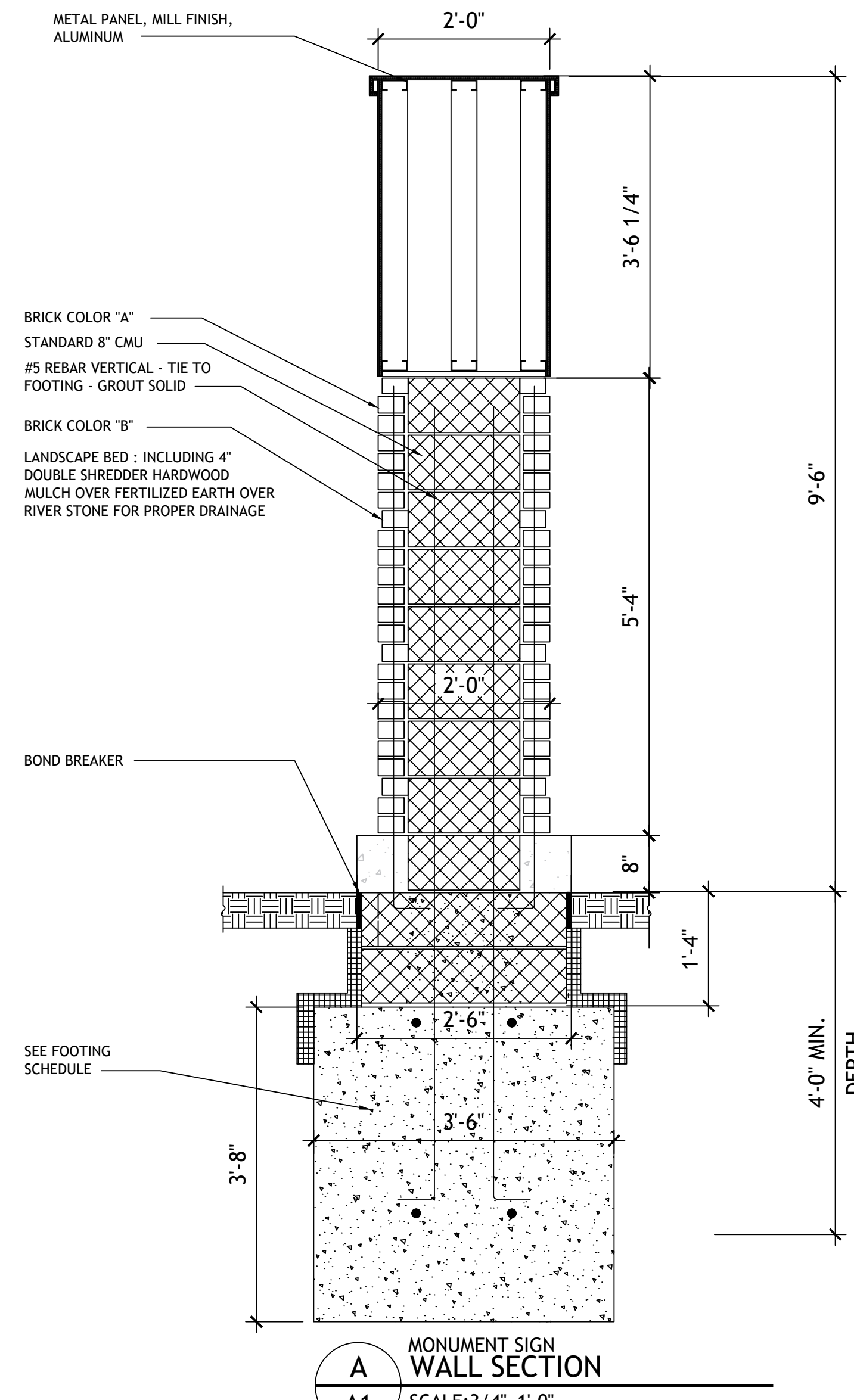


HIGH SCHOOL SIGN FRONT & BACK ELEVATION
SCALE: 1/2" = 1'-0"

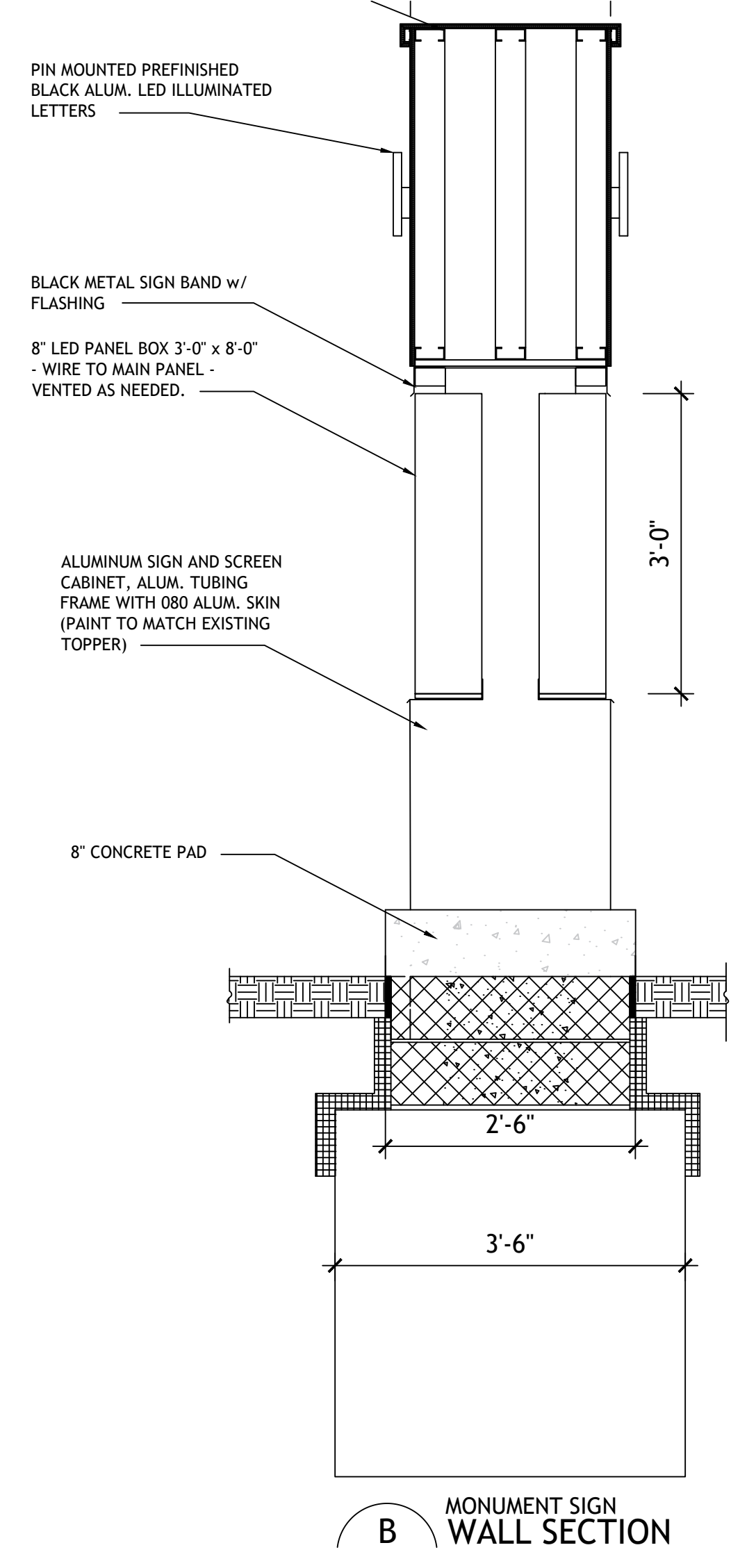
LED SIGN BOX
3'-0" x 8'-0" 16 MM, 16 BIT, 281 TRILLION COLOR
VIEW ABILITY - 140 DEGREES HORIZONTAL
GRAPHIC CAPABILITY - TEXT, ANIMATION, PICTURE & VIDEO
DISPLAY DIMMING - 100 LEVELS
CONTROL SOFTWARE - MEDIA EDITOR PACKAGE (OR EQUAL)
SCAN RATE - 300 = HZ (VARIABLE)
CONTRAST RATIO - 1000:1
FRAME RATE - 60 FRAMES PER SECOND
POWER - 120/240 AC, SINGLE PHASE
SERVICE ACCESS - FRONT
CABINET CONSTRUCTION - ALUMI. CORROSION
UL LISTED - ETL / UL RESISTENT
PRODUCT WARRANTY - 5 YEAR PARTS / LABOR
MANUFACTURE - OPTEC DISPLAY INC. WATCHFIRE, DAK OR APPROVED EQUAL

MASONRY PRODUCTS
BRICK COLOR "A" - GLEN GERY TUSCAN SERIES MAYFIELD BLEND - MODULAR
BRICK COLOR "B" - BELDEN - MODULAR SEAL BROWN VELOUR A OZ-37
CAST STONE - NORTH AMERICAN CAST STONE COLOR - SANDSTONE
SPLIT-FACE - CHAS SVEC, INC. COLOR - DARK BROWN

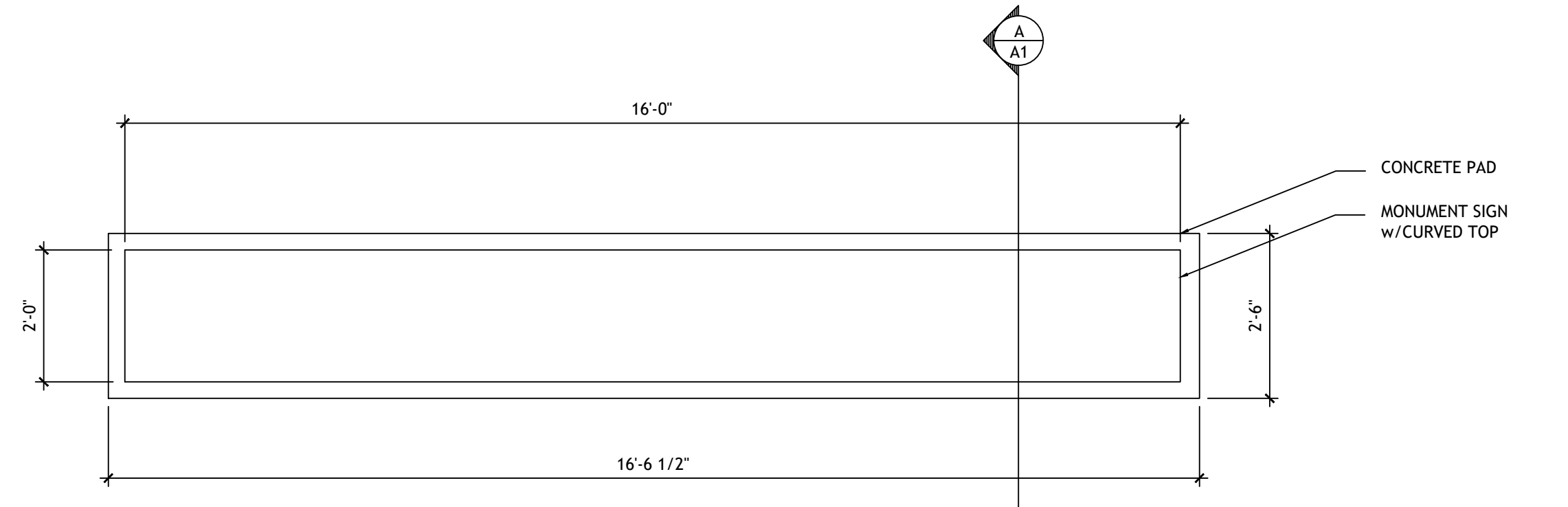
WALL FOOTING SCHEDULE			
MARK	SIZE	REINF.	REMARKS
WF1	2'-8" (W) x 2'-8" (D)	6-#5 TOP & BOTTOM	RUN BARS THRU FTG.



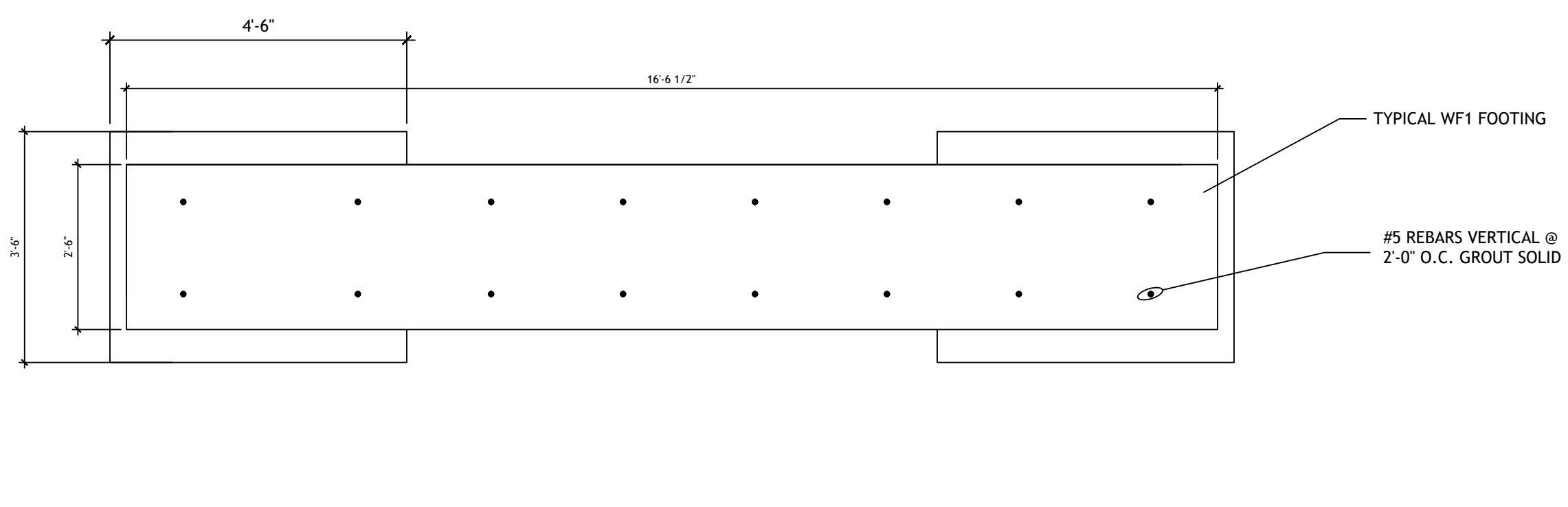
MONUMENT SIGN WALL SECTION A
SCALE: 3/4" = 1'-0"



MONUMENT SIGN WALL SECTION B
SCALE: 3/4" = 1'-0"



HIGH SCHOOL SIGN FLOOR PLAN
SCALE: 1/2" = 1'-0"



HIGH SCHOOL SIGN FOUNDATION PLAN
SCALE: 1/2" = 1'-0"

no.	description	date
1	BID/PERMIT	12/7/2022

no.	description	date
revisions / issues		

design and construction documents as instruments of service are given in confidence and remain the property of thendesign architecture ltd. the use of this design and these construction documents for purposes other than the specific project herein is strictly prohibited without expressed written consent of thendesign architecture ltd.

sheet name: HIGH SCHOOL MONUMENT SIGN

drawn by: MAL
checked by: JH
sheet number: A1
job number: XXXXX